

APPENDIX M

ACCESSIBLE WHEELCHAIR SPACE REQUIREMENTS

ACCESSIBLE WHEEL CHAIR SPACE REQUIREMENTS

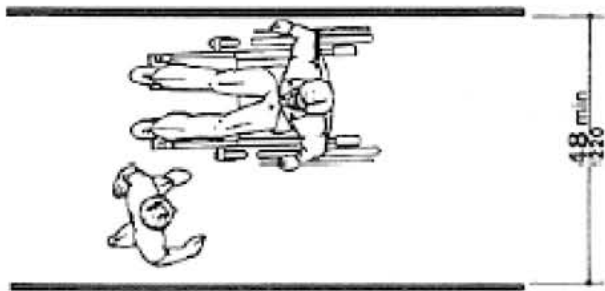
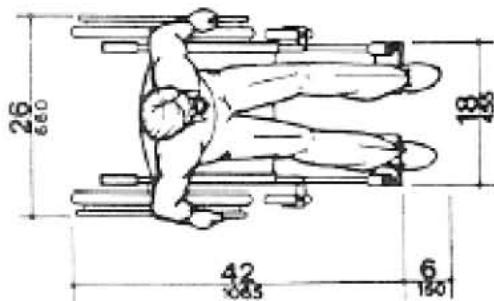
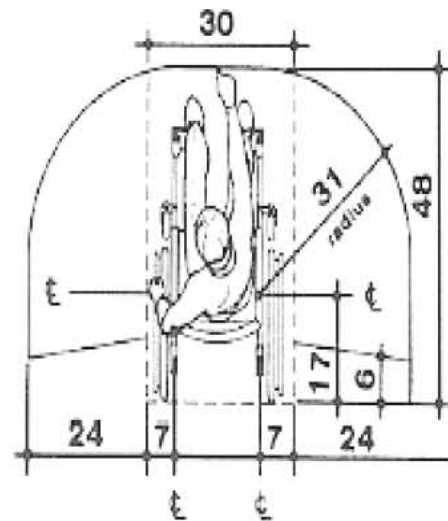
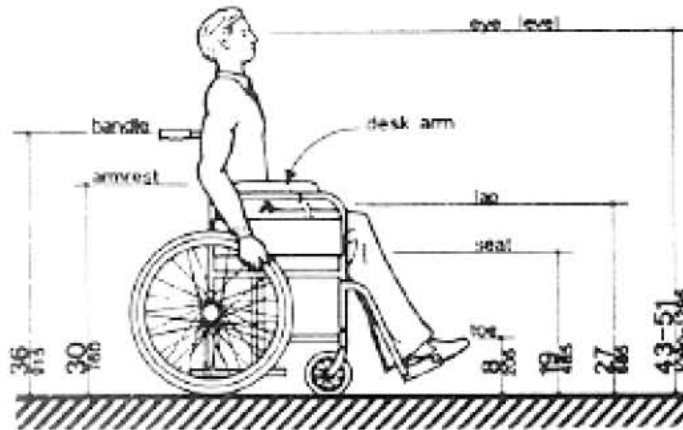
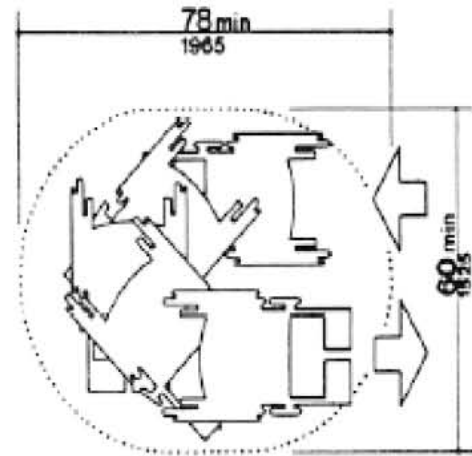


Fig. A1
Minimum Passage Width for One Wheelchair
and One Ambulatory Person



NOTE: Footrests may extend further for tall people

Fig. A3
Dimensions of Adult-Sized Wheelchairs

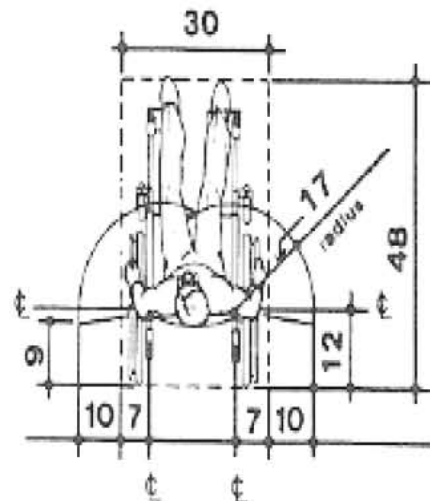


Fig. A3 (a)

Fig A1, A2, A3, A3(a): Department of Justice, Code of Federal Regulations - Excerpt from 28 CFR Part 36: ADA Standards for Accessible Design; 28 CFR Ch.1 (7-1-94 Edition), pg. 565-566.
[Electronic Version] <http://www.usdoj.gov/crt/ada/adastd94.pdf>